

# Fig. C268, H268

## Manual (without Drain and Strainer)

### FEATURES AND BENEFITS

- Ultra compact, prefabricated unit
- Provides flow control, measurement, flushing and isolation
- Can be tailored to customer's specifications
- For use with Chilled Water, LTHW and MTHW
- Reduces time, costs and specification risks



Fig. C268 for chilled water



Fig. H268 for heated water

### MATERIAL SPECIFICATION

Component	Material	Specification BS EN
1. H-Body (DN15 - DN20)	Bronze	1982 CC491K
2. Fig. 1732/M/L DRV	Bronze	1982 CC491K
3. Fig. 100 Ball Valve	DZR Brass	12165 CW602N
4. Union Connector	DZR Brass	12165 CW602N
5. Adaptors for 1" only*	DZR Brass	12165 CW602N
6. Union Nut	Brass	12164 CW614N

\*For 1" system pipework, adaptors can be fitted to our standard units.

### PRESSURE/ TEMPERATURE RATING

PN16 -10 to 120°C

### TEST PRESSURES

Tested to BS EN 12266-1:2003

### SPECIFICATION

Both modules can adopt a left or right-handed configuration.

### SERVICE RATING

Figure C268 is suitable for chilled water applications.

Figure H268 is suitable for LTHW and MTHW applications.

### DIMENSIONAL DRAWINGS

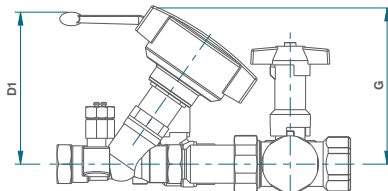


Fig. C268

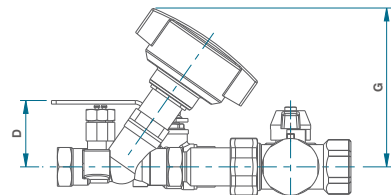
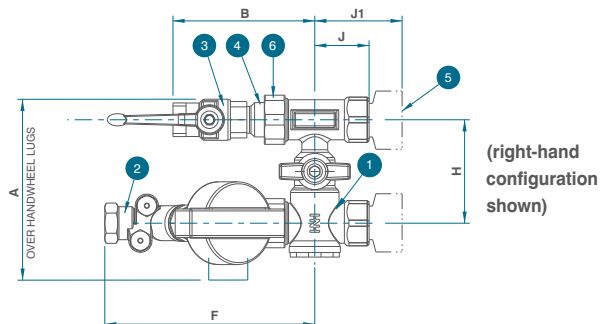


Fig. H268

### DIMENSIONS AND WEIGHTS

Nom Size	mm	1/2 female	3/4 female	1 female
A	mm	143	143	150
B	mm	120	125	149
D	mm	45	54	57
D1	mm	110	119	123
F	mm	168	175	190
G	mm	110	111	132
H	mm	80	80	80
J	mm	42	42	42
J1	mm	-	-	70
Weight	kg	1.90	2.20	2.75



Every effort has been made to ensure that the information contained in this publication is accurate at the time of publishing. Hattersley Ltd assumes no responsibility or liability for typographical errors or omissions or for any misinterpretation of the information within the publication and reserves the right to change without notice.