

Fig. F300 Flow
Fig. R300 Return

FEATURES AND BENEFITS

- Maintains a consistent performance
- Use with variable speed pumps within HVAC systems
- Enhances efficiency
- Reduces energy consumption
- Simplifies the commissioning process
- Easily adjusted to meet future conditions



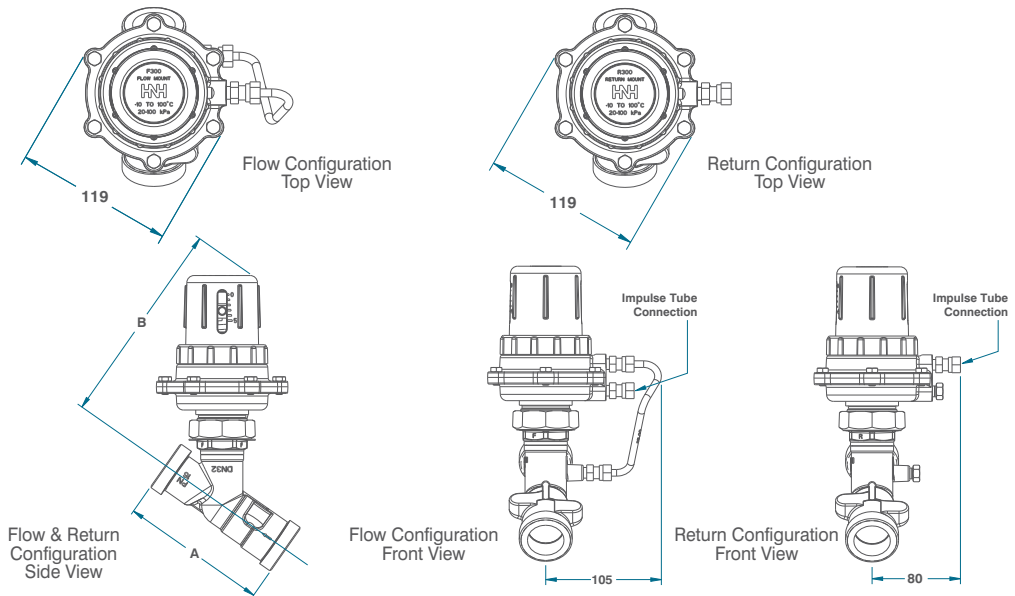
MATERIAL SPECIFICATION

Component	Material
Body	Bronze BS EN 1982 (CC491K)
Bonnet	Bronze BS EN 1982 (CC491K)
Chamber	Bronze BS EN 1982 (CC491K)
Adjuster	Nylon Grade PA6
Stem / Piston	Stainless Steel BS EN 10088 - 1:2005
Diaphragm	Rubber EPM
O-Ring Seals	Rubber EPDM

DIMENSIONS AND WEIGHTS

Size		DN15	DN20	DN25	DN32	DN40	DN50
A	mm	90	96	114	132.5	150.5	184
B	mm	175	175	185	190	195	205
End Connection	in	3/4"	1"	1 1/4"	1 1/2"	1 3/4"	2 3/8"
		BSP Parallel Male					
Weight	kg	2.34	2.39	2.62	2.76	3.07	3.57

DIMENSIONAL DRAWINGS



Every effort has been made to ensure that the information contained in this publication is accurate at the time of publishing. Hattersley Ltd assumes no responsibility or liability for typographical errors or omissions or for any misinterpretation of the information within the publication and reserves the right to change without notice.