

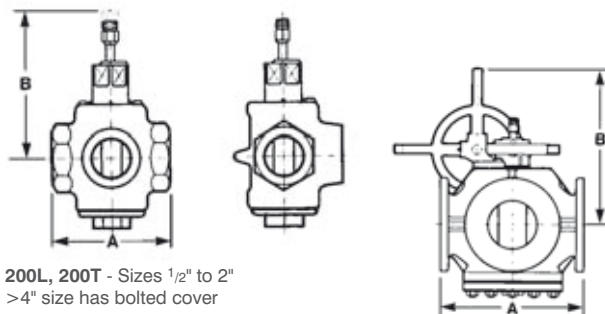
Fig. 200L/T, 201T, 201TG Fig. 221T Cast Iron HNH-Milliken Plug Valves - 3 Way Pattern L-Port & T-Port

FEATURES AND BENEFITS

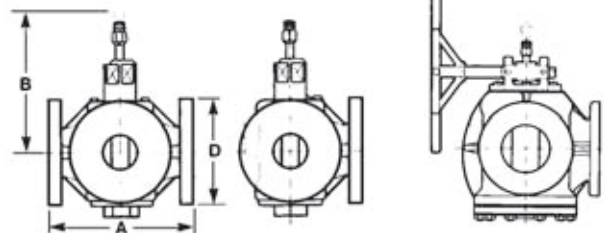
- Sealing compound effects a completely leak tight seal.
- When open - presents a straight through passage in line with pipeline
- Stops flow after 90° turn



DIMENSIONAL DRAWINGS



200L, 200T - Sizes 1/2" to 2"
>4" size has bolted cover



201T - Sizes 2" to 4", 221T - 80mm only
>4" size has bolted cover

201TG - Sizes 5" to 6"

DIMENSIONS AND WEIGHTS

Dimensions (wrench operated)

Nom Size	mm in	15	20	25	32	40	50	65	80	100
		1/2	3/4	1	1 1/4	1 1/2	2	2 1/2	3	4
A (200L/T)	mm	99	99	108	127	140	162	-	-	-
A (201T/221T)	mm	-	-	-	-	-	216	248	267	324
	in	-	-	-	-	-	8 1/2	9 3/4	10 1/2	12 3/4
B	mm	108	108	118	133	133	206	222	257	302
Flanged PN16	mm	-	-	-	-	-	165	185	200	220
D Flanged ANSI 125	in	-	-	-	-	-	6	7	7 1/2	9
Wrench		G	G	J	J	L	L	O	P	Q
Weight (screwed)	kg	1.7	1.6	2.5	3.8	5.2	8.4	15	29	51
Weight (flanged)	kg	-	-	-	-	-	13	24	39	82

Dimensions (with gear unit)

Nom Size	mm in	125	150
		5	6
A	mm	387	406
	in	15 1/4	16
B	mm	476	521
D Flanged PN16	mm	250	285
D Flanged ANSI 125	in	10	11
Weight	kg	125	151

VALVE IDENTIFICATION

Ends	Operation	Fig No
Non-transflow		
Screwed	Wrench	200L
Screwed	Wrench	200T
Flanged	Wrench	201T
Flanged	Geared	201TG
Transflow		
Flanged	Wrench	221T

Transflow pattern valves allow reduced flow through the ports during rotation of the plug from one position to another.

Every effort has been made to ensure that the information contained in this publication is accurate at the time of publishing. Hattersley Ltd assumes no responsibility or liability for typographical errors or omissions or for any misinterpretation of the information within the publication and reserves the right to change without notice.