

Fig. 100C, 100CEXT Compression Ended DZR - Lever Operated



FEATURES AND BENEFITS

- Dezincification resistant
- Light, compact and easy to install and operate
- Improved leak protection
- More resistant to damage during installation
- Sizes from 15 to 54mm
- WRAS Approved



Fig. 100C

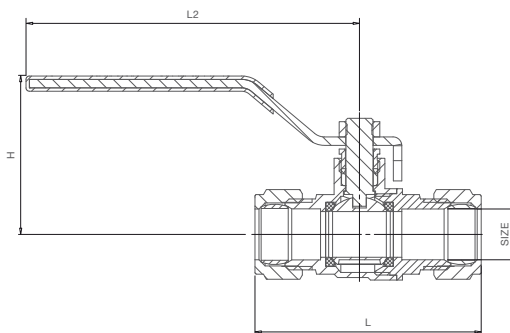


Fig. 100CEXT

MATERIAL SPECIFICATION

Component	Material
Hex-Nut	Steel Plated
Lever	Steel Dacromet Plated
Handle Sleeve	Green PVC
Packing Nut	Brass CW617N
Packing Gland	PTFE WRAS Approved
Body	DZR Brass CW602N
Seats	PTFE WRAS Approved
Ball	DZR Brass CW602N Chrome Plated
Bonnet	DZR Brass CW602N
Compression Olive	Brass CW507L
Compression Nut	DZR Brass CW602N
Stem	DZR Brass CW602N
Extension Stem Outer	Aluminium
Extension Stem Inner	Steel Plated

DIMENSIONAL DRAWINGS



PRESSURE/TEMPERATURE RATINGS COMPRESSION

Temperature °C	-10 - 30	40	50	65	80	90	100	110	120
Pressure bar	16	14.3	12.6	10	8.7	7.8	6.9	6	5

Intermediate pressure ratings shall be determined by interpolation

DIMENSIONS AND WEIGHTS

Nom Size	Fig	mm	15	22	28	35	42	54
L	C	mm	66.5	80	92.5	104.5	122	141
L2	C	mm	98.5	98.5	125	140	140	165
H	C	mm	47	51	62	77.5	83	97.5
H	CEXT	mm	103	107	116	129	135	150
Weight	C	g	212	368	608	1007	1549	2538
Weight	CEXT	g	275	429	682	1125	1667	2683

SPECIFICATION

UK End Connection: Compression Ends to BS EN 1254-2:1998.
Operator: Lever.
Quarter turn.
PTFE seats and stem seal.
WRAS listed.

Every effort has been made to ensure that the information contained in this publication is accurate at the time of publishing. Hattersley Ltd assumes no responsibility or liability for typographical errors or omissions or for any misinterpretation of the information within the publication and reserves the right to change without notice.