

Fig. 100, 100EXT Threaded DZR - Lever Operated



FEATURES AND BENEFITS

- Dezincification resistant
- Light, compact and easy to install and operate
- Improved leak protection
- More resistant to damage during installation
- Sizes from 1/4" to 2"
- WRAS Approved



Fig. 100

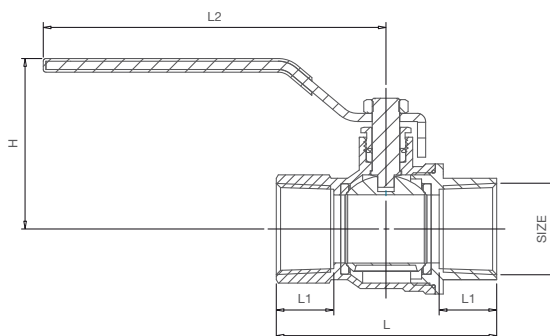


Fig. 100EXT

MATERIAL SPECIFICATION

Component	Material
Hex-Nut	Steel Plated
Lever	Steel Dacromet Plated
Sleeve	Green PVC
Packing Nut	Brass CW617N
Packing Gland	PTFE WRAS Approved
Body	DZR Brass CW602N
Seats	PTFE WRAS Approved
Ball	DZR Brass CW602N Chrome Plated
O-Ring	Rubber EPDM WRAS Approved
Bonnet	DZR Brass CW602N
Stem	DZR Brass CW602N
Extension Stem Outer	Aluminium
Extension Stem Inner	Steel Plated

DIMENSIONAL DRAWINGS



PRESSURE/TEMPERATURE RATINGS THREADED

Temperature °C	-10 to 100	120
Pressure bar	25	21.8

Intermediate pressure ratings shall be determined by interpolation.

SPECIFICATION

UK End Connection: BS EN 10226-2:2005 formerly BS21 Taper.

US End Connection: ANSI B1.20.1:1983.

Operator: Lever.

Quarter turn.

PTFE seats and stem seal.

WRAS listed.

DIMENSIONS AND WEIGHTS

Nom Size	Fig	in	1/4	3/8	1/2	3/4	1	1 1/4	1 1/2	2
L	100	mm	46	46	58.5	67	80.5	94	102	124
L1		mm	12	12	15.5	17	21	23	23	26.5
L2	100	mm	89	89	98.5	98.5	125	140	140	165
H	100	mm	41	41	48	51	62	77.5	83	95.5
H	100EXT	mm	-	-	103	107	116	129	135	150
Weight	100	g	152	136	205	302	511	890	1292	2238
Weight	100EXT	g	-	-	270	366	589	1009	1410	2283

Every effort has been made to ensure that the information contained in this publication is accurate at the time of publishing. Hattersley Ltd assumes no responsibility or liability for typographical errors or omissions or for any misinterpretation of the information within the publication and reserves the right to change without notice.